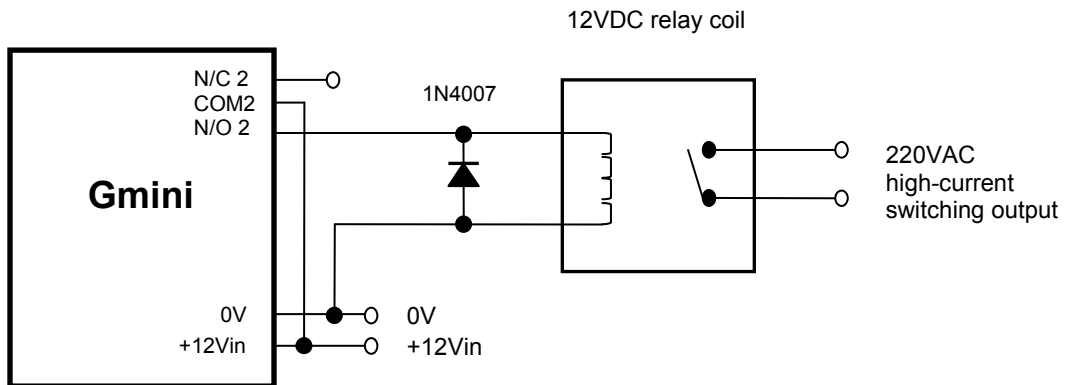


Gmini input / output application note.

Driving high-power relays:

If you require high-voltage relay control, then you can use the internal relays for 220VAC switching, however, please note that at 220VAC the relays can only handle 62.5VA or 284mA. At low voltage ($\leq 30\text{VDC}$) you can switch 2A. If you require higher-power 220V switching or DC high-current switching, you can use another relay connected as below:



Monitoring 220VAC inputs

If you require input signalling of 220VAC signals, you should use a relay with 220VAC coil specifications. See connections below:

